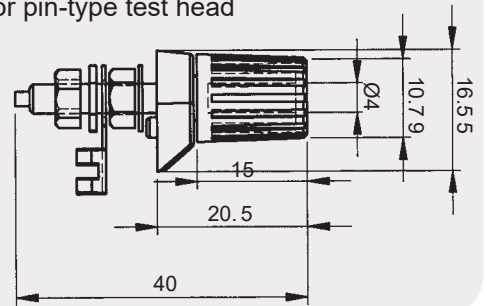


Terminal

TER-305



- 4mm banana socket with captive head
- Suitable for wire or pin-type test head
- Bakelite material head and base

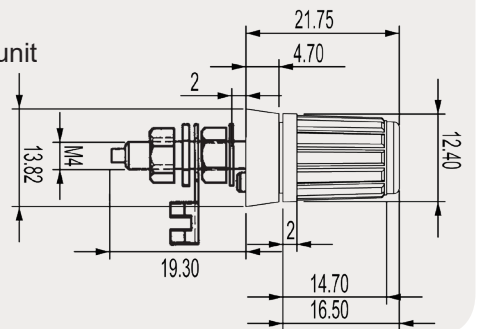


TER-306

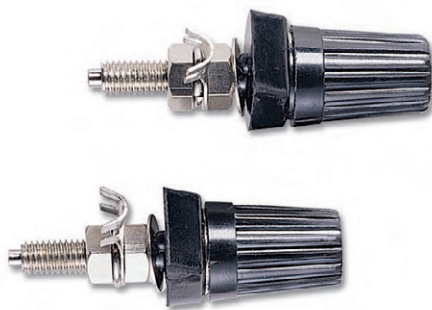


- 4mm sockets with insulated head and base
- For installation in unit
- ABS resin head

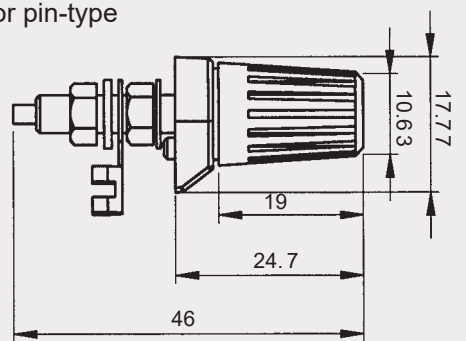
TER-306B Black
TER-306R Red
TER-306G Green
TER-306Y Yellow



TER-2000



- 5mm captive head
- Suitable for wire or pin-type test head
- Bakelite material base



TER-2000-4



- 5mm captive head
- Suitable for wire or pin-type test head
- Bakelite material base