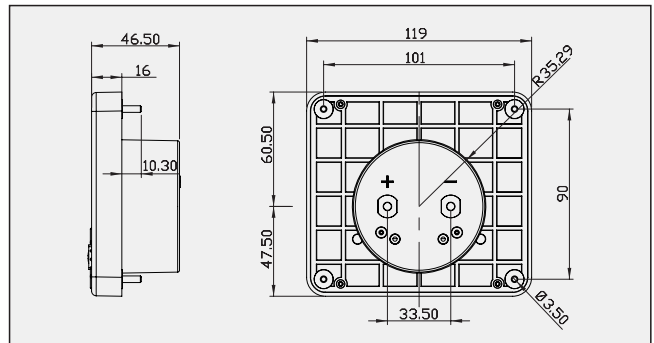
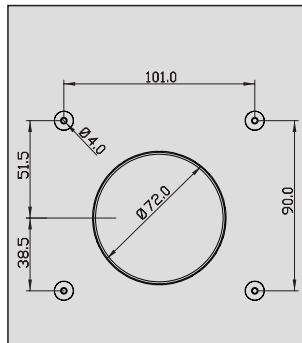


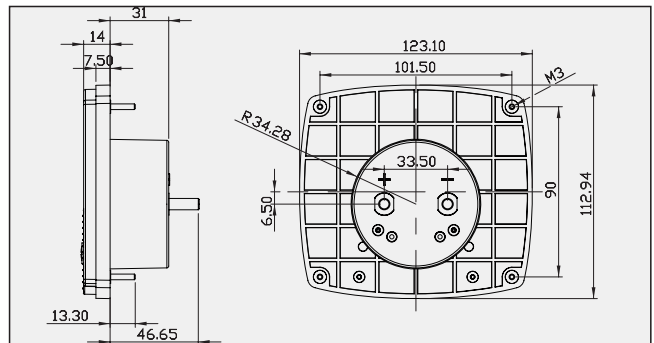
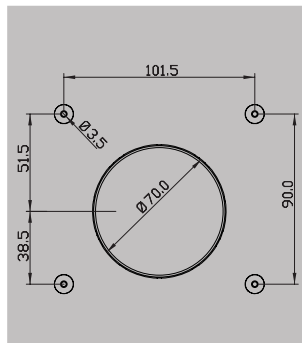
F Series



ST-120



ST-123U



- **Case and Composition :** Polycarbonate front and Polybutylene Terephthalate(PBT).
Three studs mounting.
- **Accuracy :**
AC Class 2.5
DC Class 2.0
Rectifier calss 2.0
- **Color :** Black case and white scale plate.
- **Pointer :** Sword type color in black.

Measuring Ranges :

Moving Coil Type

DC uA	DC mA	DC A	DC mV	DC V
50	1	200	1	50
100	2	250	1.5	60
150	5	300	10	100
200	10	500	20	500
250	20	800	30	30
300	50			50
500	100			100
800	150			150

Moving Iron Type

AC mA	AC A	AC V
50	1	150
100	5	250
150	10	300
200	15	500
250	20	600
300	30	
500		
800		

Rectifier Type

AC V
30
50
100
150
200
300
500
600

- **Hz Meter :**
Measuring Ranges : 45-65Hz, 45-55Hz, 55-65Hz
Rated Voltage : 110V, 220V
Accuracy : Class 2.0
Consumption : Max. 15mA
Test Voltage : 2kV, 50-60Hz